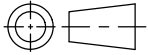
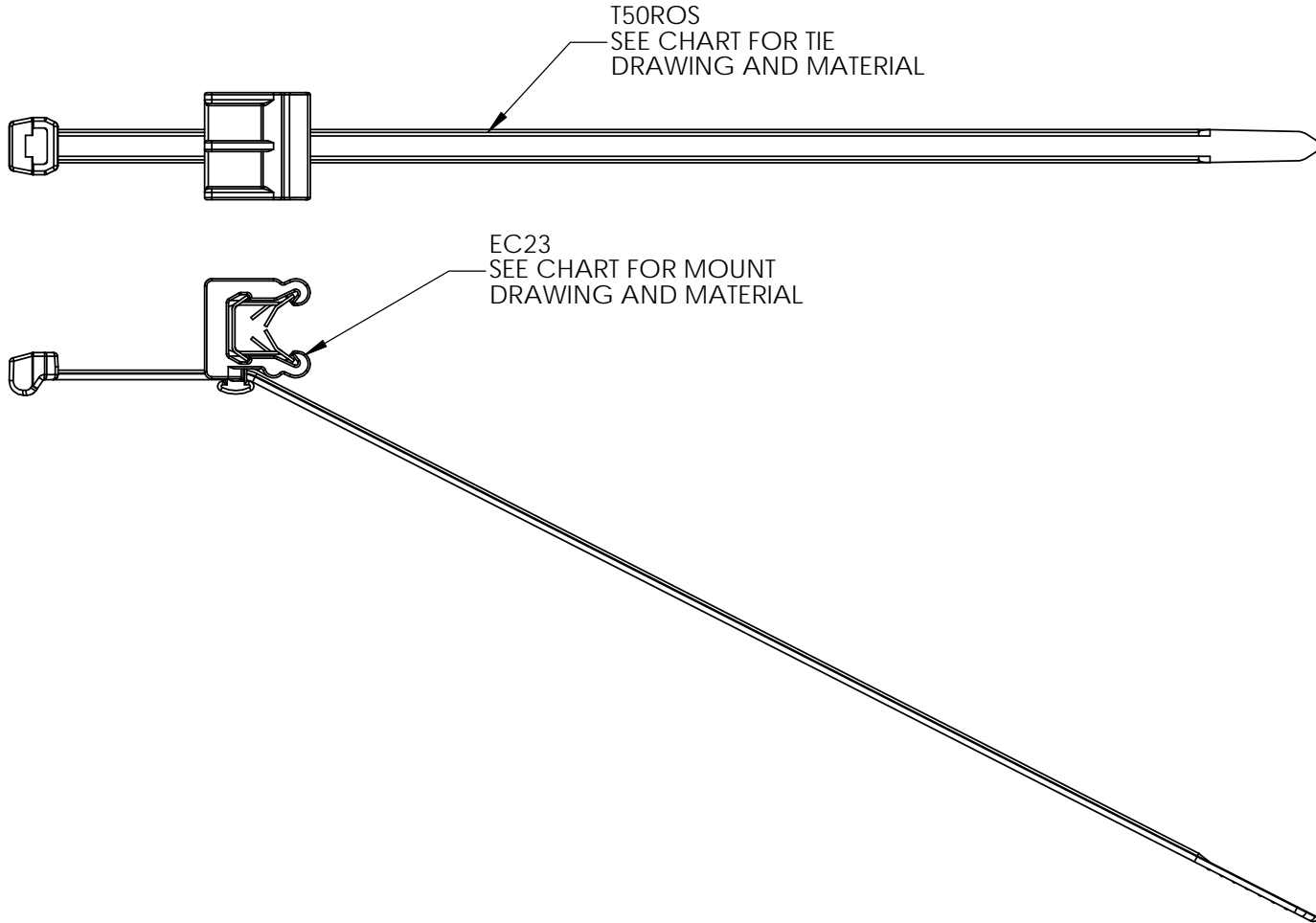


SW2010



Revision level		Revision Record	Changed	Date	Approved	Date
Drawing	Part					
00	-	SEE ECN# 011829	AAC	05/19/2011	AAC	05/19/2011



Material SEE CHART	TYPE	BUNDLE RANGE	CABLE TIE		MOUNT		
	T50ROSEC23	5 TO 50	DRAWING CT10-0737-002CST	MATERIAL PA66HS	DRAWING XCL-HTG157CST	MATERIAL PA66	
Units millimeters Dimension without tolerances details to: .XXXX = ± .0025 .XXX = ± .013 .XX = ± .13 .X = ± .3 None = ± .8 ∠ = ±0.5°	Drawn	AAC	05/11/2011	Article/Type-No T50ROSEC23		Scale 1:1	
	Approved	AAC	05/19/2011	Title T50ROS OUTSIDE SERRATED CABLE TIE WITH EC23 MOUNT		Project Number PRPNT827-04	
	HellermannTyton North America Email: corp@htamericas.com Web: www.hellermann.tyton.com			Drawing-No 04-0827-003-CSU		Production : Phase	Format AH
						Sheet 1/1	

The copyright of this drawing is reserved by HellermannTyton. It is issued on condition that it is not reproduced, copied, or disclosed to a third party, either wholly or in part, without the consent of HellermannTyton.

Product Number
Cross Reference Record

Uncontrolled Document

Pre-UNS Number System	(New) UNS Universal Number System	Customer Part Number
Product Number T50ROSEC23	Product Number 156-00877	Product Number -
Reference Drawing Number: 04-0827-003-CSU		

Issued By:	(New) UNS Product Number	Issue Date:
HellermannTyton	Universal Numbering System	April 30, 2012