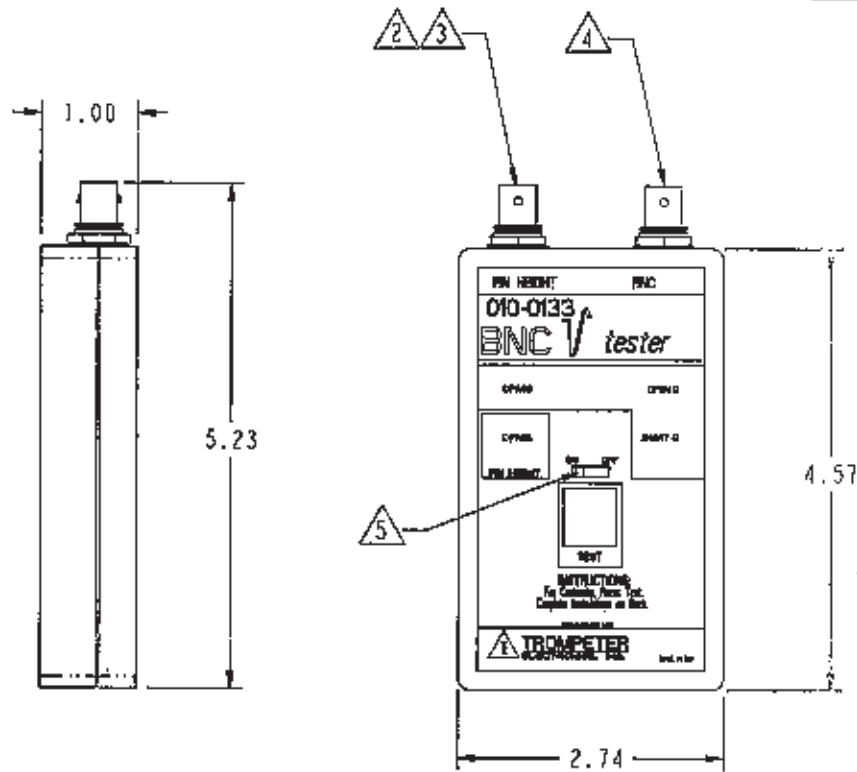
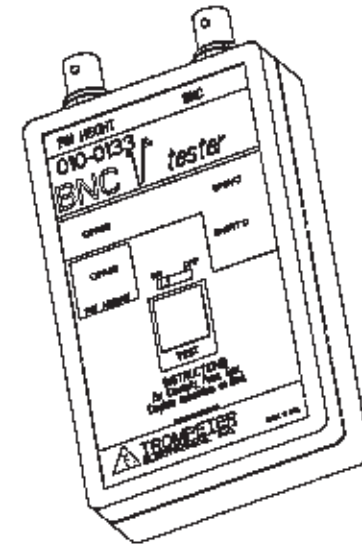


DATA CONTAINED IN THIS DOCUMENT IS PROPRIETARY TO TROMPETER ELECTRONICS INC. AND SHALL NOT BE DISCLOSED, COPIED OR USED FOR PROCUREMENT OR MANUFACTURE WITHOUT EXPRESS WRITTEN PERMISSION.

| REVISIONS |                       |  | DATE    | APPROVED |
|-----------|-----------------------|--|---------|----------|
| REV       | DESCRIPTIONS          |  |         |          |
| F         | REVISED PER ECO 15600 |  | 8-19-04 | WJ       |



RED INDICATES ORIGINAL



- 5 TO PRESERVE BATTERY, SWITCH TO OFF POSITION WHEN NOT IN USE
  - 4 USE 105-1885 ADAPTER FOR TESTING MINI-WECO CONNECTOR
  - 3 USE 010-0133-101 GO/NO-GO GAGE TO ASSURE PROPER CALIBRATION OF PIN HEIGHT TESTER
  - 2 PIN HEIGHT TO INDICATE "PASS" WHEN CONTACT IS .034 (MIN) SET BACK BEHIND SPRING FINGER; "FAIL" WHEN CONTACT IS .039 (MAX) SET BACK BEHIND SPRING FINGER
1. TESTER FOR PROPER ASSEMBLY OF BNC COAXIAL PLUGS, WITH CAPABILITY OF DETECTING CENTER CONTACT PIN HEIGHT, CONTINUITY, AND SHORT OR OPEN CIRCUIT

NOTES: UNLESS OTHERWISE SPECIFIED.

|  |         |                         |           |
|--|---------|-------------------------|-----------|
| EXCEPT DRAWING PER MIL-STD-100. DIMENSIONS ARE IN INCHES AND INCLUDE FINISH TOLERANCES UNLESS OTHERWISE SPECIFIED. |         | MATERIAL: .XX ± .06     |           |
| REV  | DATE    | TITLE:                  |           |
| TK   | 8-5-04  | BNC TESTER (ELECTRICAL) |           |
| APP  | 8-6-04  | SIZE                    | CAGE CODE |
| CP5  | 8-19-04 | A                       | 14949     |
| BP   | 8-18-04 | DRAWING NO.             | 010-0133  |
| APPROVED   | 8/16/04 | REV.                    | F         |
| PHOTO DATE   | 9/10/03 | SCALE                   | 1/1       |
| NEXT ASSY  |         | DATE                    | 12-17-97  |
| DO NOT SCALE DWG   |         | SHEET                   | 1 OF 3    |

**TROMPETER**  
RF connectivity  
a cinch connectivity solutions brand